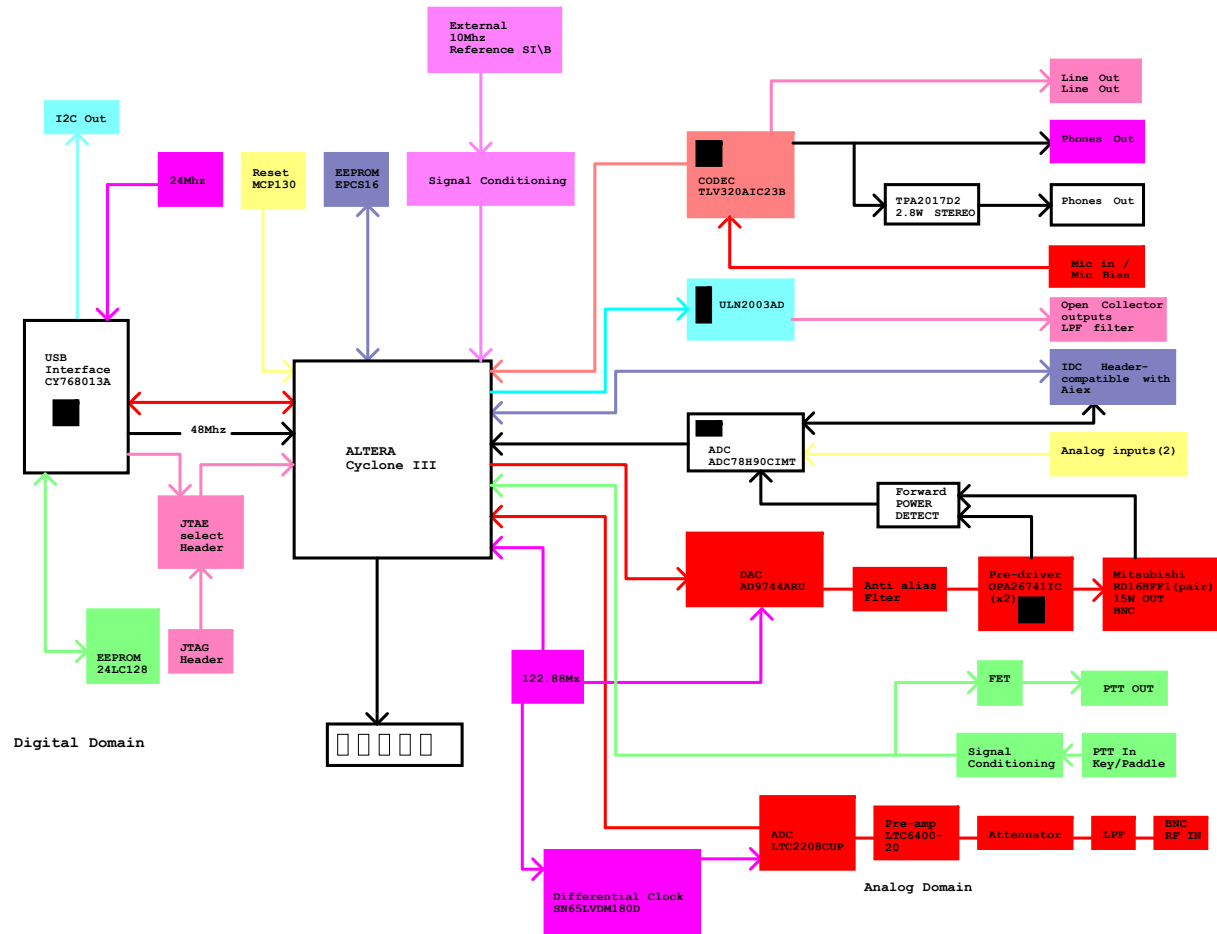


CHIRON DDC/DUC Block Diagram

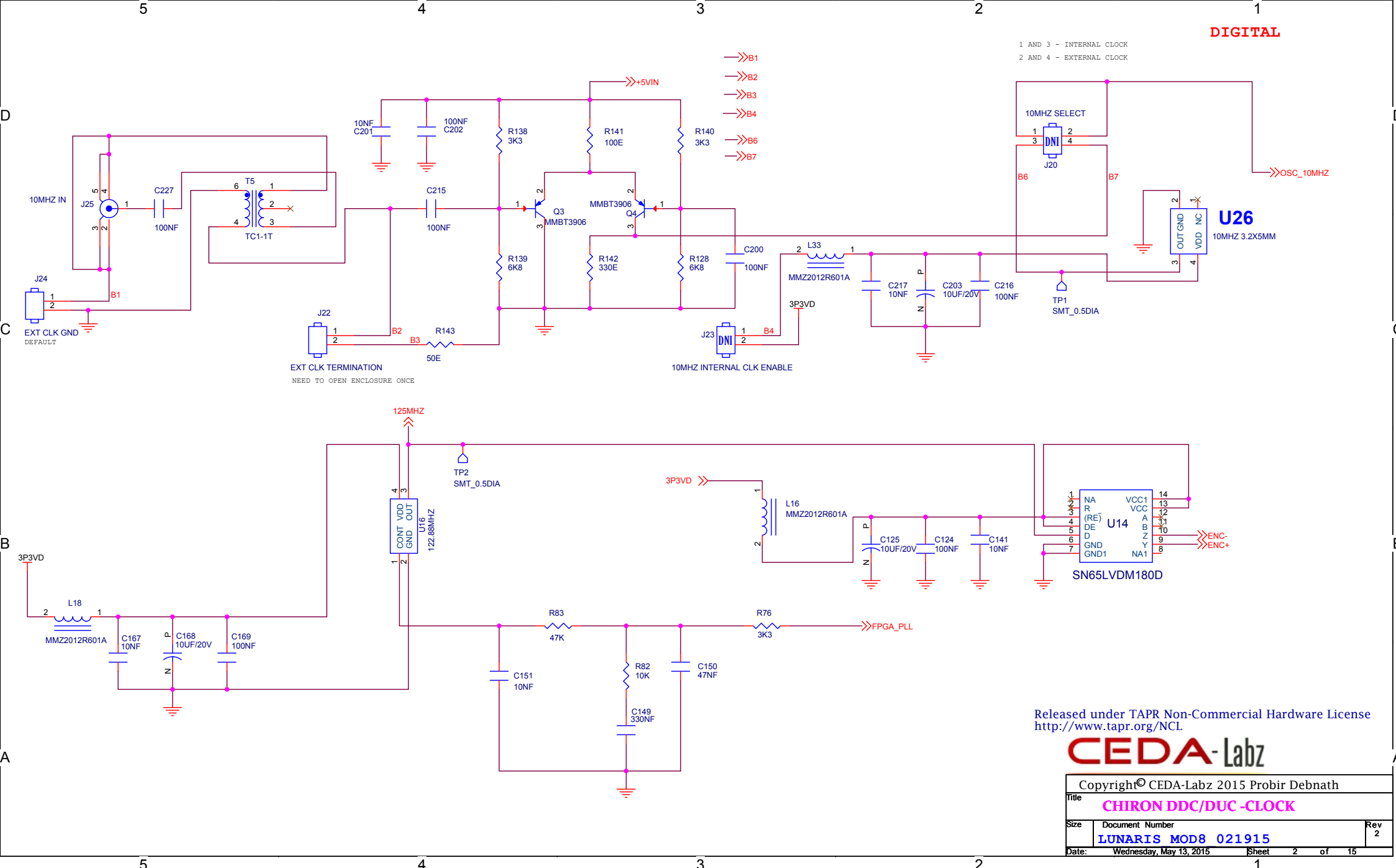


Released under TAPR Non-Commercial Hardware License
<http://www.tapr.org/NCL>

Copyright © CEDA-Labz 2015 Probir Debnath

CEDA-Labz

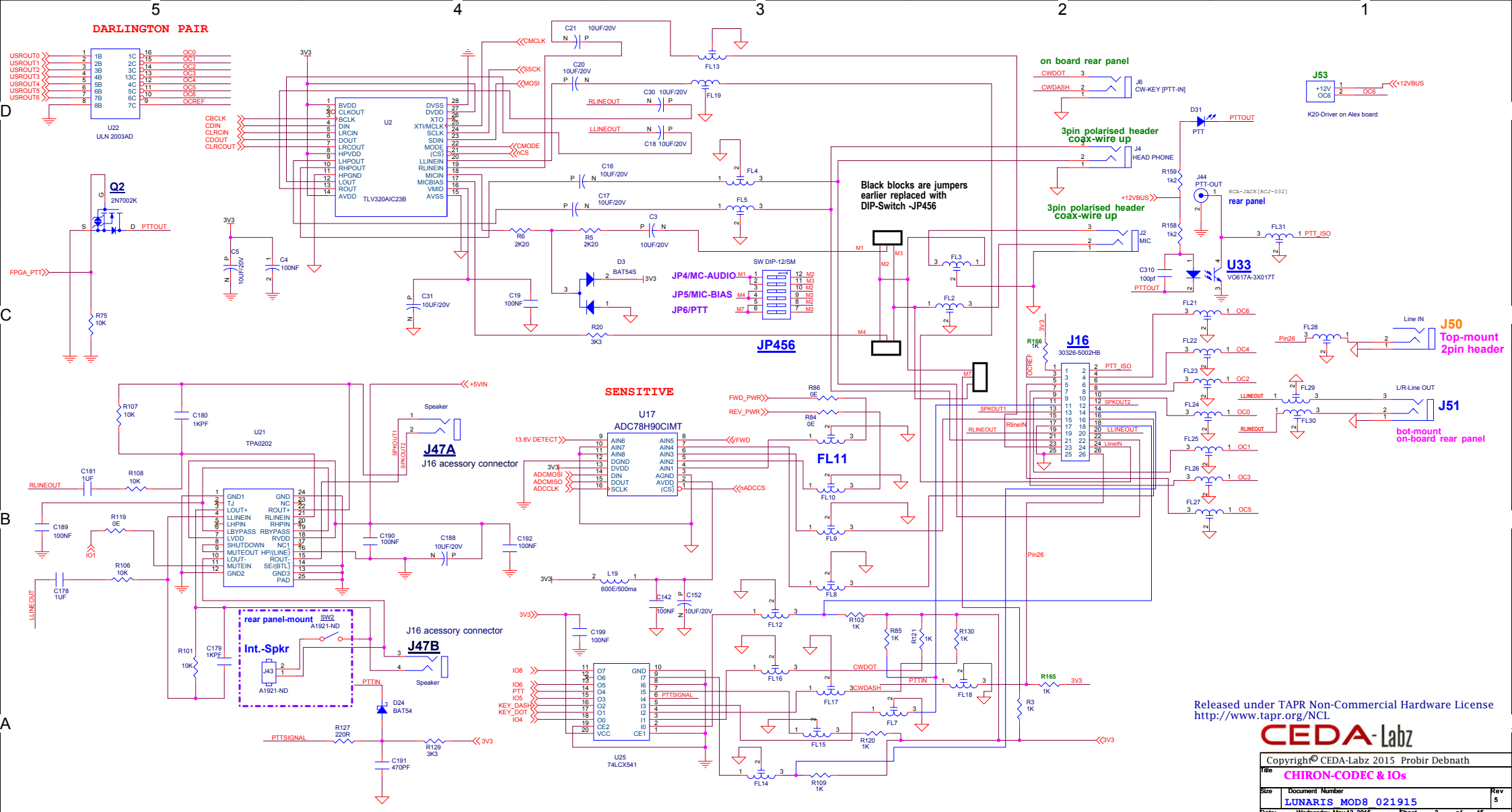
| | | |
|------------------------------|-------------------------|---------------|
| CHIRON - DDC/DUC Transceiver | | |
| FUNCTIONAL BLOCKS | | |
| Size | Document Number | Rev |
| C | LUNARIS MOD8_021915 | 3 |
| Date: | Wednesday, May 13, 2015 | Sheet 1 of 15 |



Released under TAPR Non-Commercial Hardware License
<http://www.tapr.org/NCL>



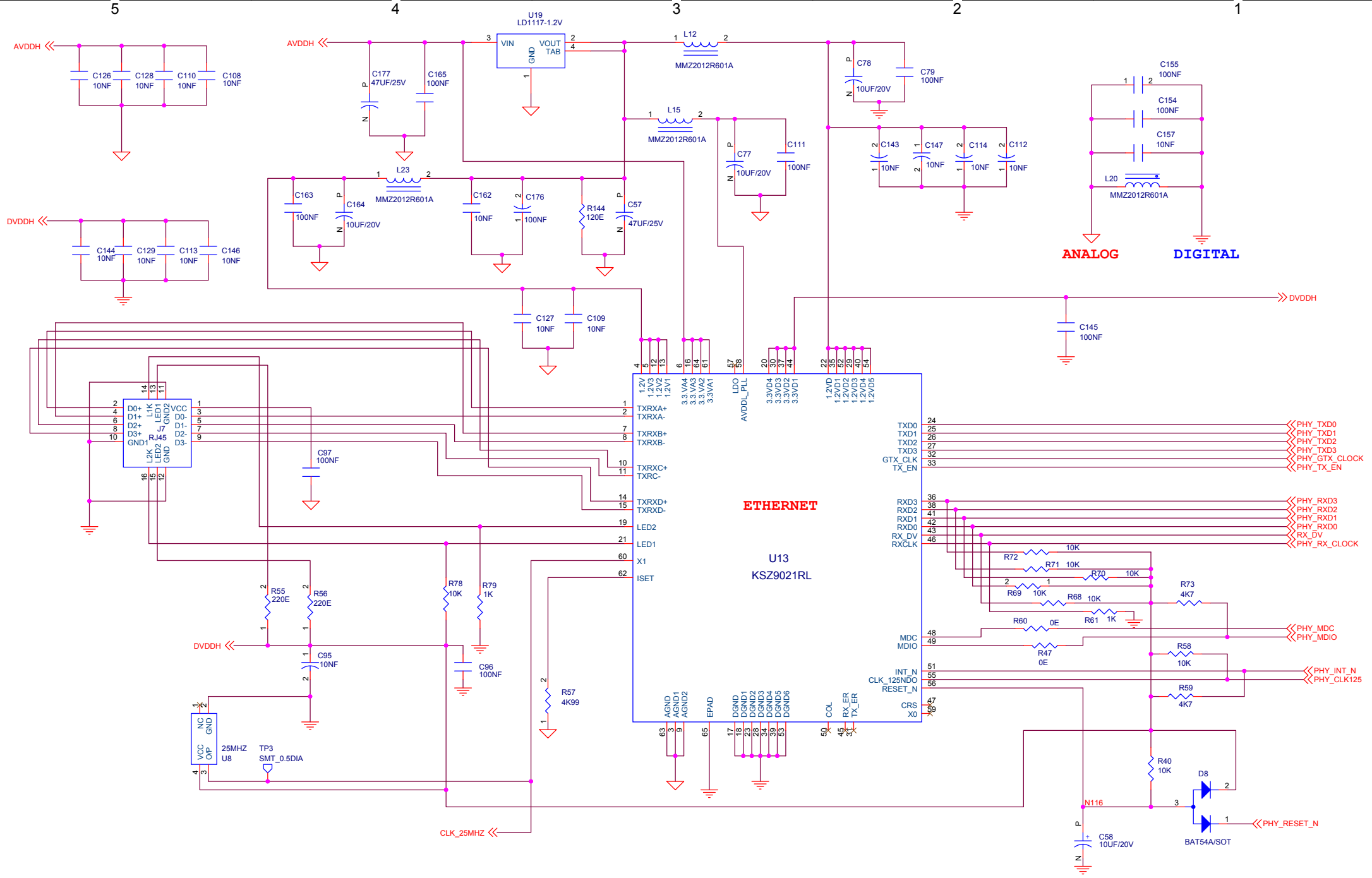
| | | |
|--|----------------------------|---------------|
| Copyright© CEDA-Labz 2015 Probir Debnath | | |
| Title CHIRON DDC/DUC -CLOCK | | |
| Size | Document Number | Rev |
| | LUNARIS MOD8 021915 | 2 |
| Date: | Wednesday, May 13, 2015 | Sheet 2 of 15 |



Released under TAPR Non-Commercial Hardware License
<http://www.tapr.org/NCL>

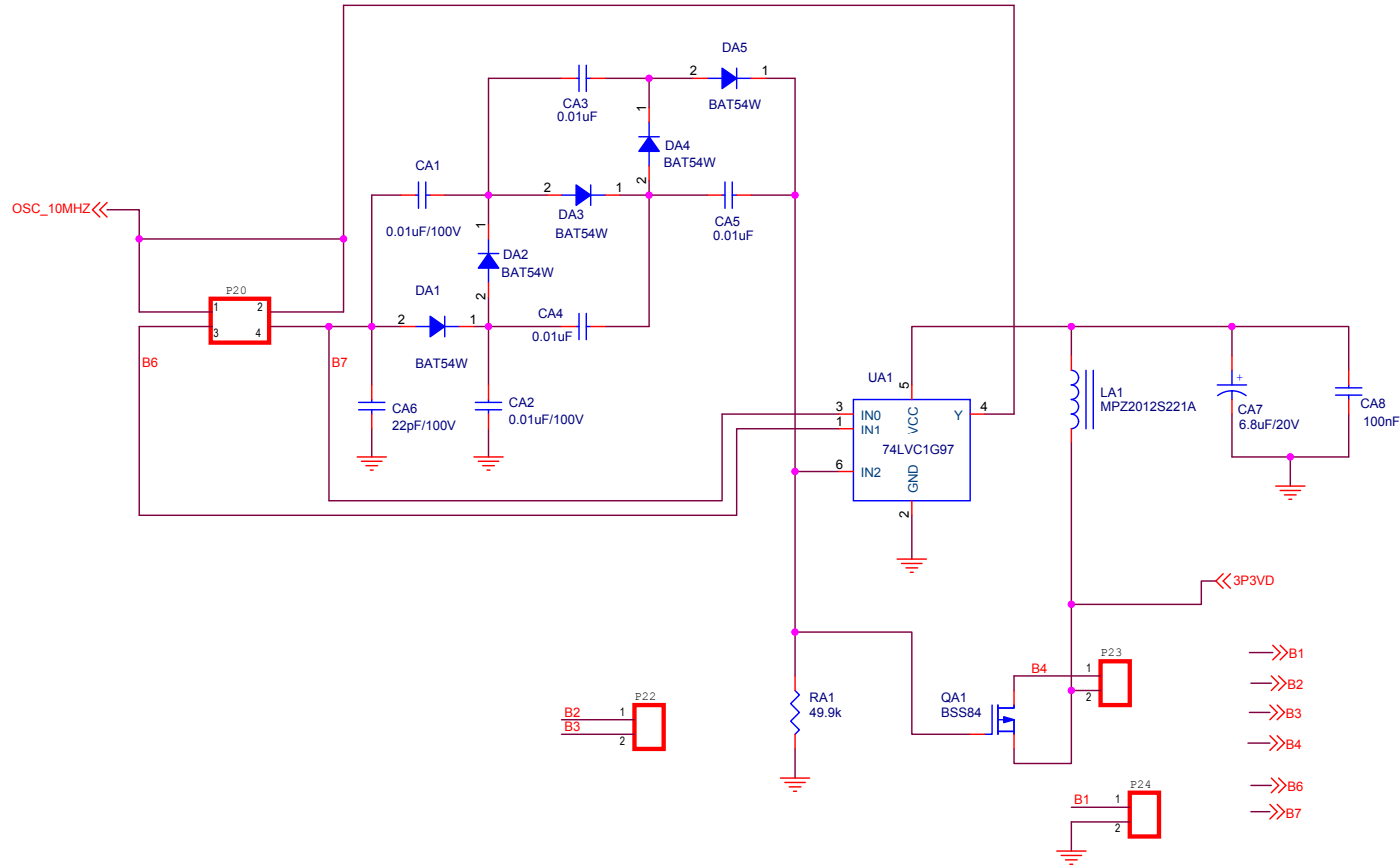
CEDA-Labz

| | | |
|--|----------------------------|---------------|
| Copyright© CEDA-Labz 2015 Probir Debnath | | |
| Title CHIRON-CODEC & IOs | | |
| Size | Document Number | Rev |
| | LUNARIS MOD8 021915 | 5 |
| Date: | Wednesday, May 13, 2015 | Sheet 3 of 15 |



10MHz AUTO SWITCH

All Parts placed on Bottom



Released under TAPR Non-Commercial Hardware License
<http://www.tapr.org/NCL>

CEDA-Labz

Copyright© CEDA-Labz 2015 Probir Debnath

| | | |
|-------|-------------------------|-----------------------|
| Title | | CHIRON - AutoSw 10Mhz |
| Size | Document Number | Rev |
| B | LUNARIS MOD8_021915 | 2 |
| Date: | Wednesday, May 13, 2015 | Sheet 5 of 15 |

U9B

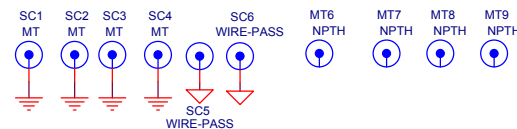
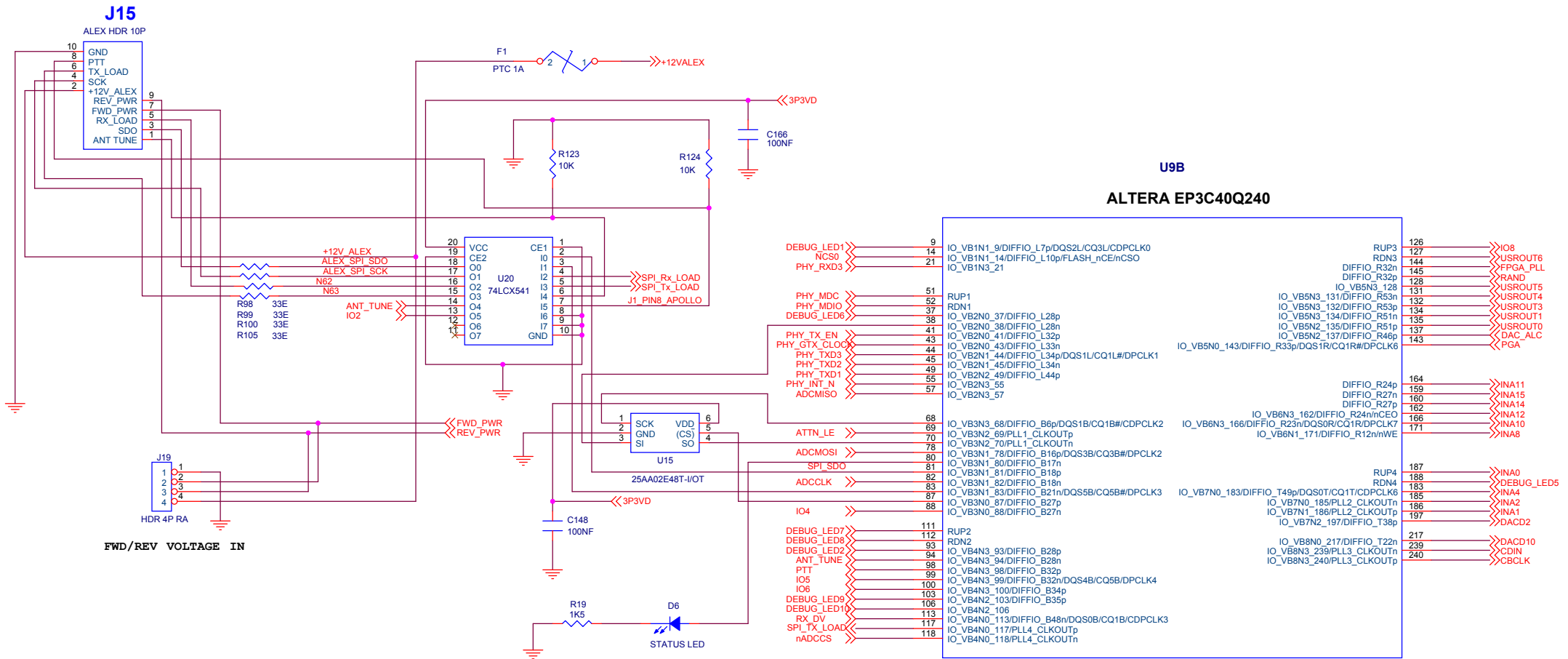
ALTERA EP3C40Q240

Version = 1.0

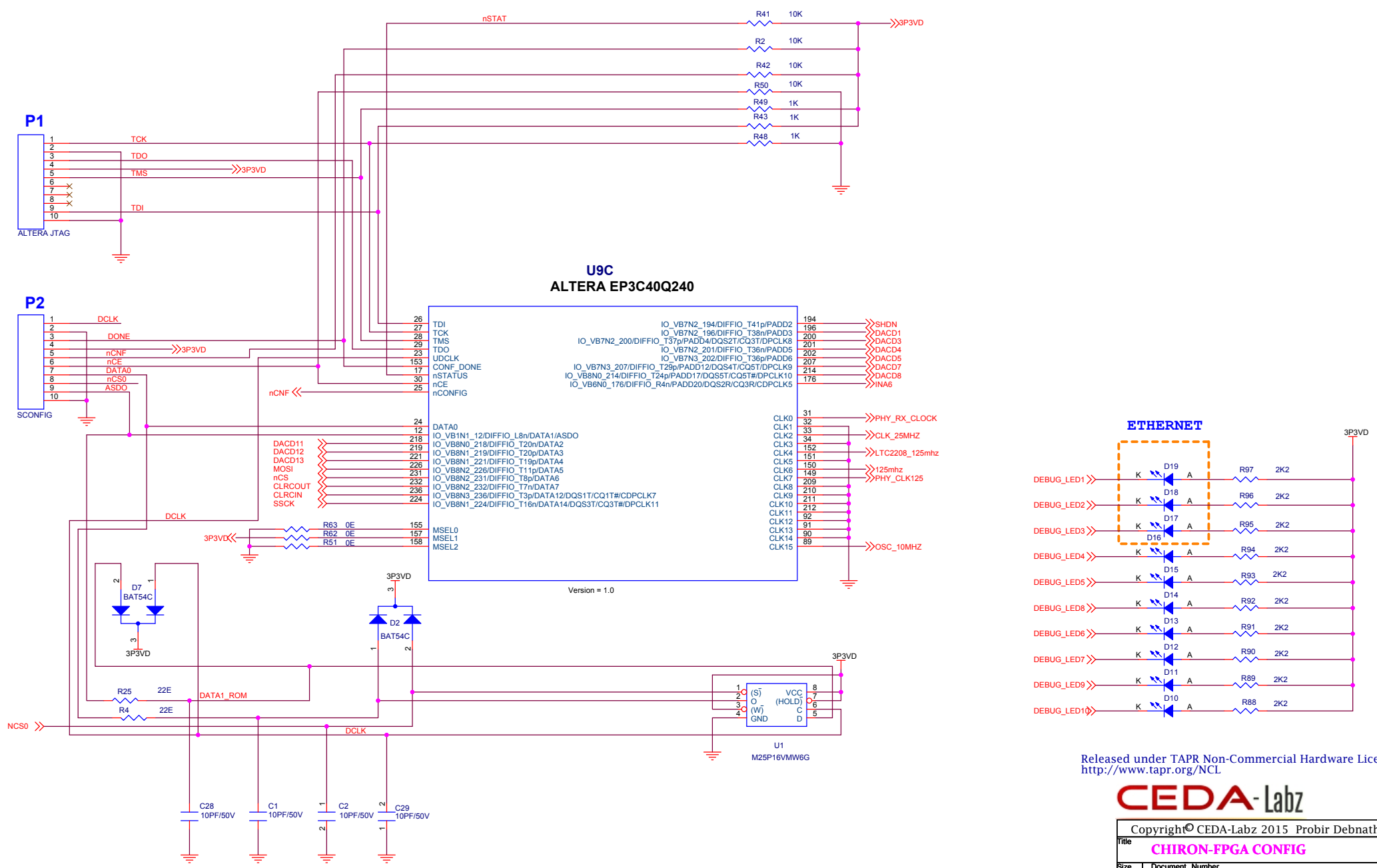
Released under TAPR Non-Commercial Hardware License
http://www.tapr.org/NCL

CEDA-Labz

| | | |
|---|----------------------------|---------------|
| Copyright © CEDA-Labz 2015 Probir Debnath | | |
| Title CHIRON - FPGA BLOCK | | |
| Size | Document Number | Rev |
| | LUNARIS_MOD8_021915 | 2 |
| Date: | Wednesday, May 13, 2015 | Sheet 6 of 15 |



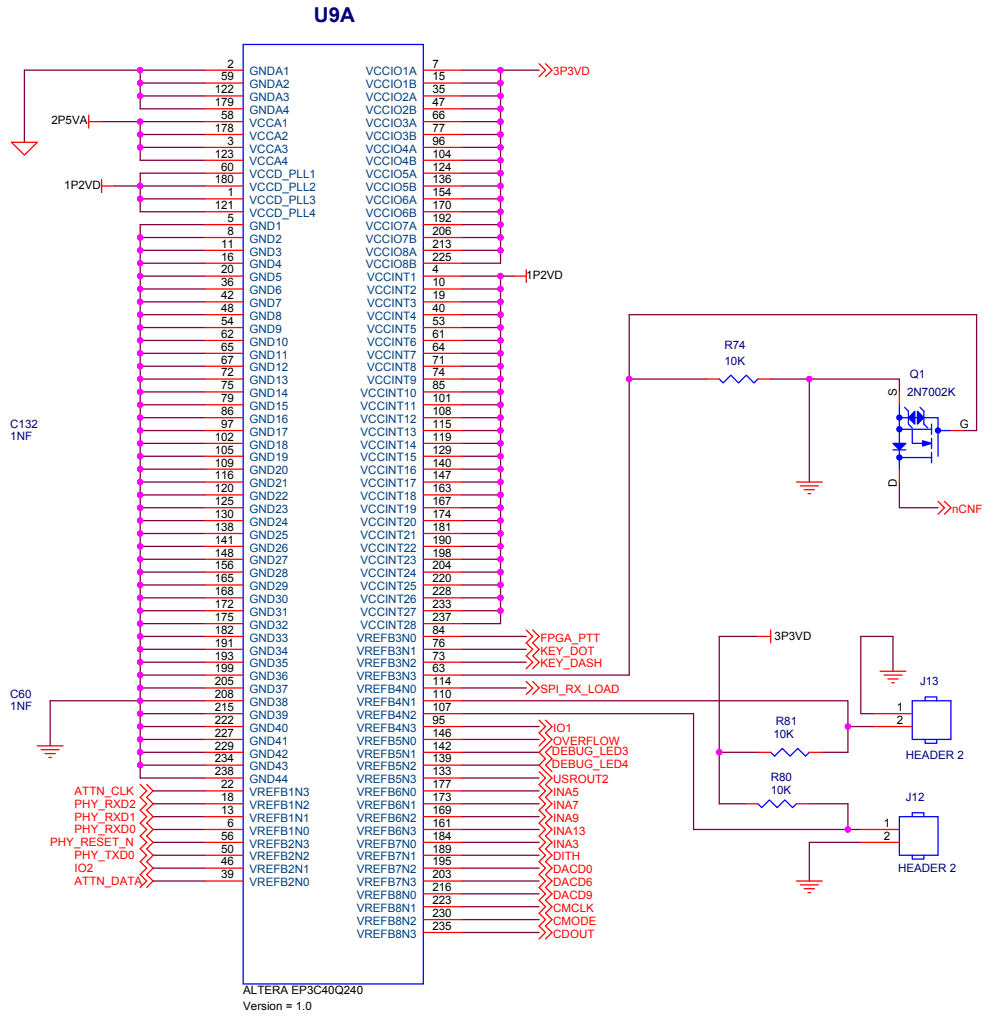
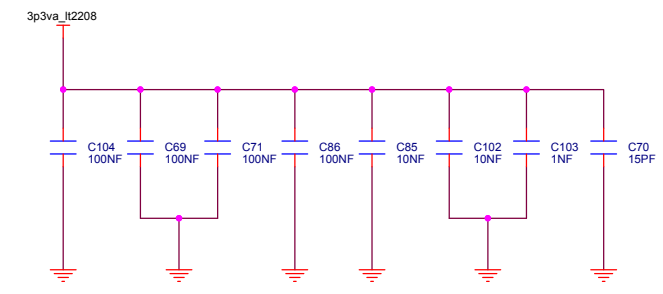
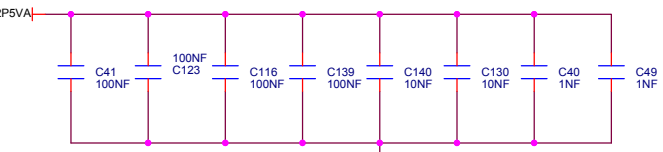
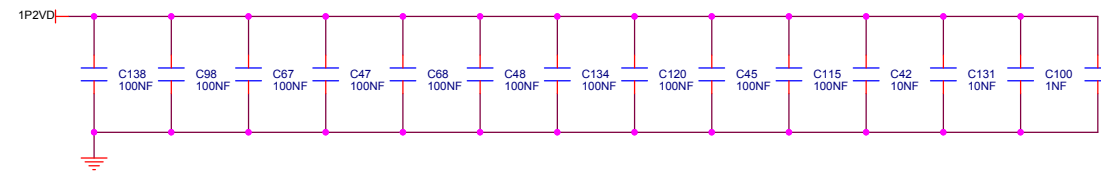
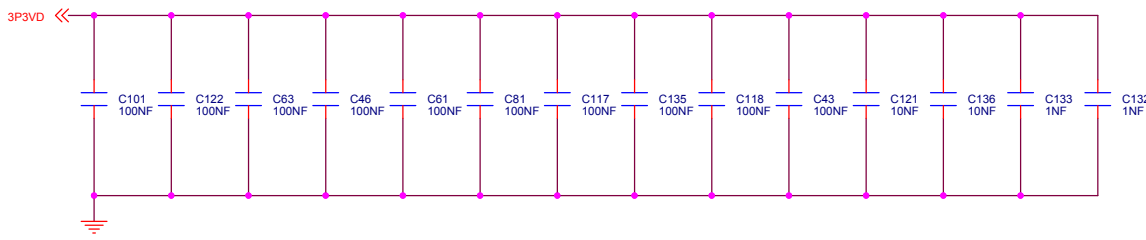
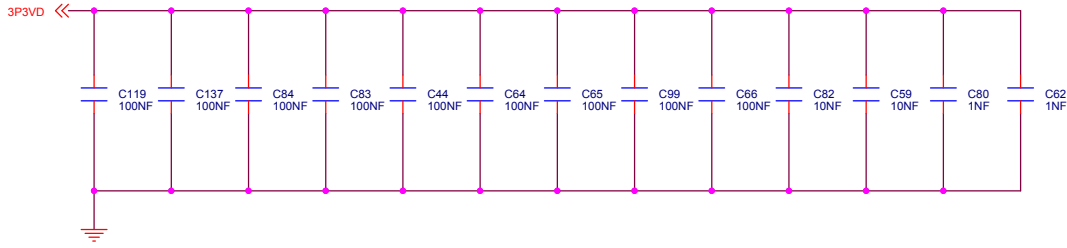
DIGITAL



Released under TAPR Non-Commercial Hardware License
<http://www.tapr.org/NCL>

CEDA-Labz

| | | |
|--|----------------------------|---------------|
| Copyright © CEDA-Labz 2015 Probrir Debnath | | |
| CHIRON-FPGA CONFIG | | |
| Size | Document Number | Rev |
| | LUNARIS MOD8 021915 | 2 |
| Date: | Wednesday, May 13, 2015 | Sheet 7 of 15 |



Released under TAPR Non-Commercial Hardware License
<http://www.tapr.org/NCL>

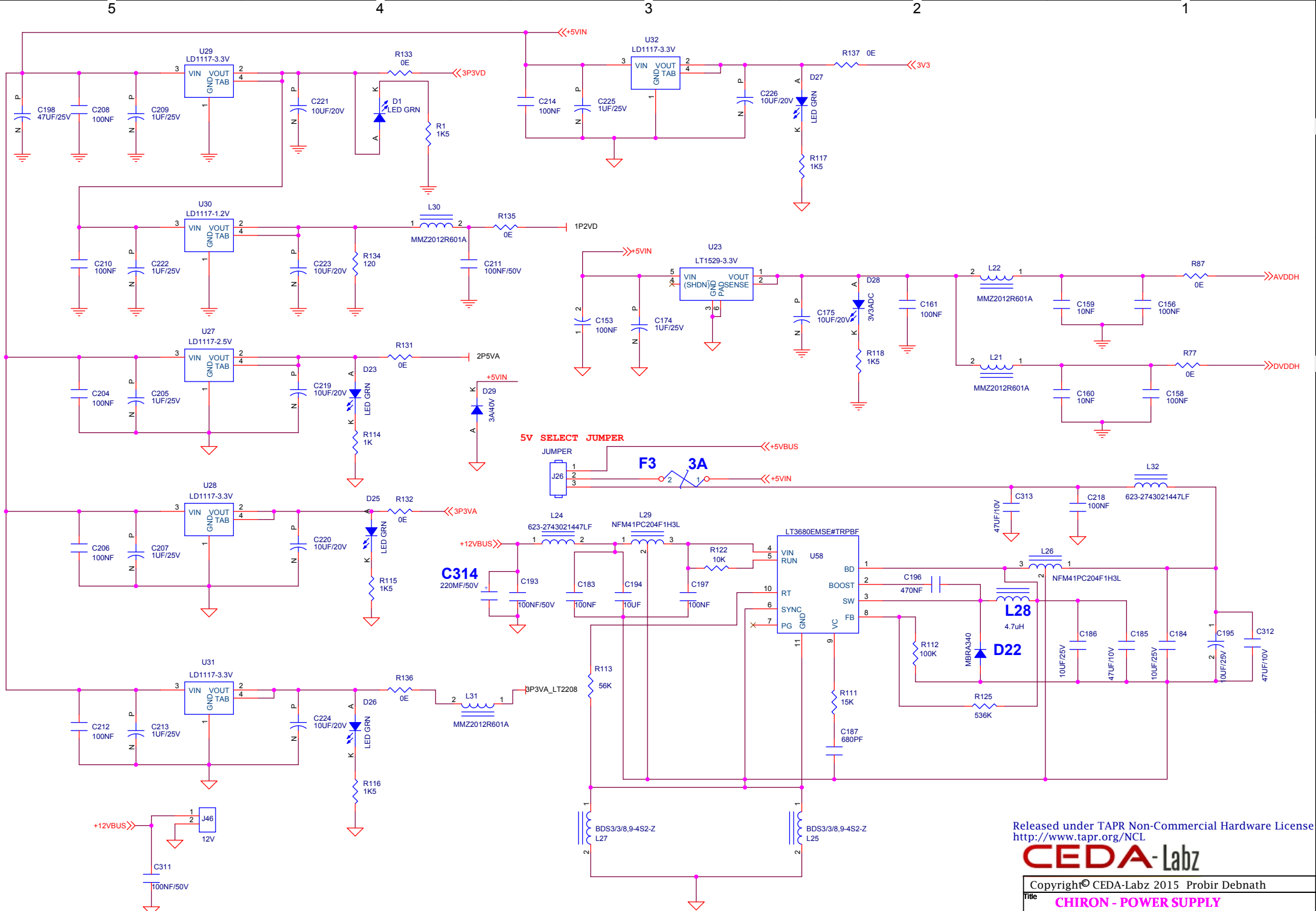


| | | |
|--|---|-----------------|
| Copyright© CEDA-Labz 2015 Probir Debnath | | |
| Title CHIRON - FPGA POWER | | |
| Size | Document Number LUNARIS MOD8 021915 | Rev 2 |
| Date: | Wednesday, May 13, 2015 | Sheet 8 of 15 |

ANY Hardware Changes will be noted here in Next Revision

CEDA-Labz

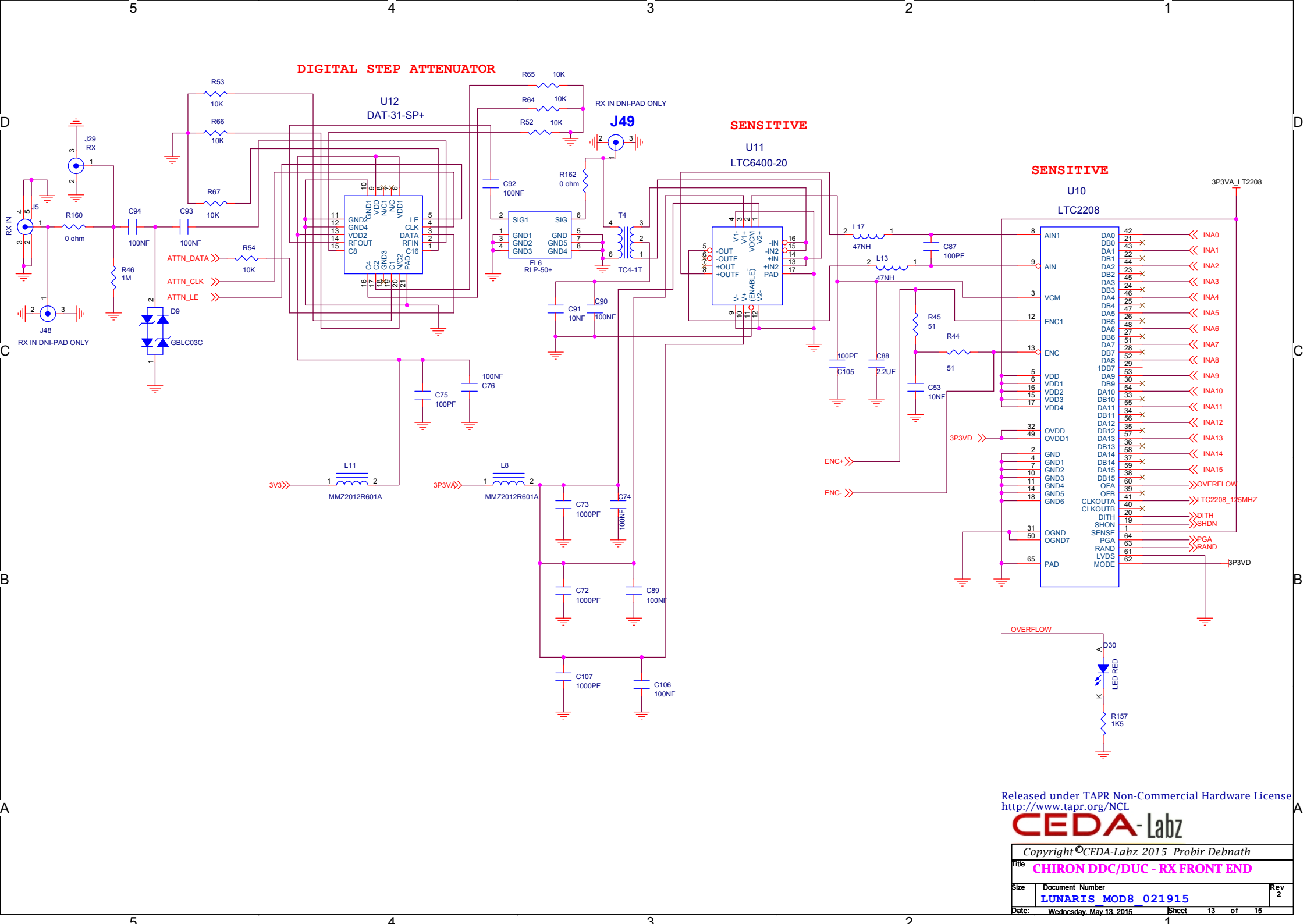
| | | | |
|-------|-------------------------|----------------------------|----------|
| Title | | | |
| NOTES | | | |
| Size | Document Number | LUNARIS_MOD8_021915 | Rev 2 |
| Date: | Wednesday, May 13, 2015 | Sheet | 9 of 15 |



Released under TAPR Non-Commercial Hardware License
<http://www.tapr.org/NCL>



| | | |
|---|----------------------------|----------------|
| Copyright © CEDA-Labz 2015 Probir Debnath | | |
| Title CHIRON - POWER SUPPLY | | |
| Size | Document Number | Rev |
| | LUNARIS MOD8 021915 | 4 |
| Date: | Wednesday, May 13, 2015 | Sheet 12 of 15 |



DIGITAL STEP ATTENUATOR

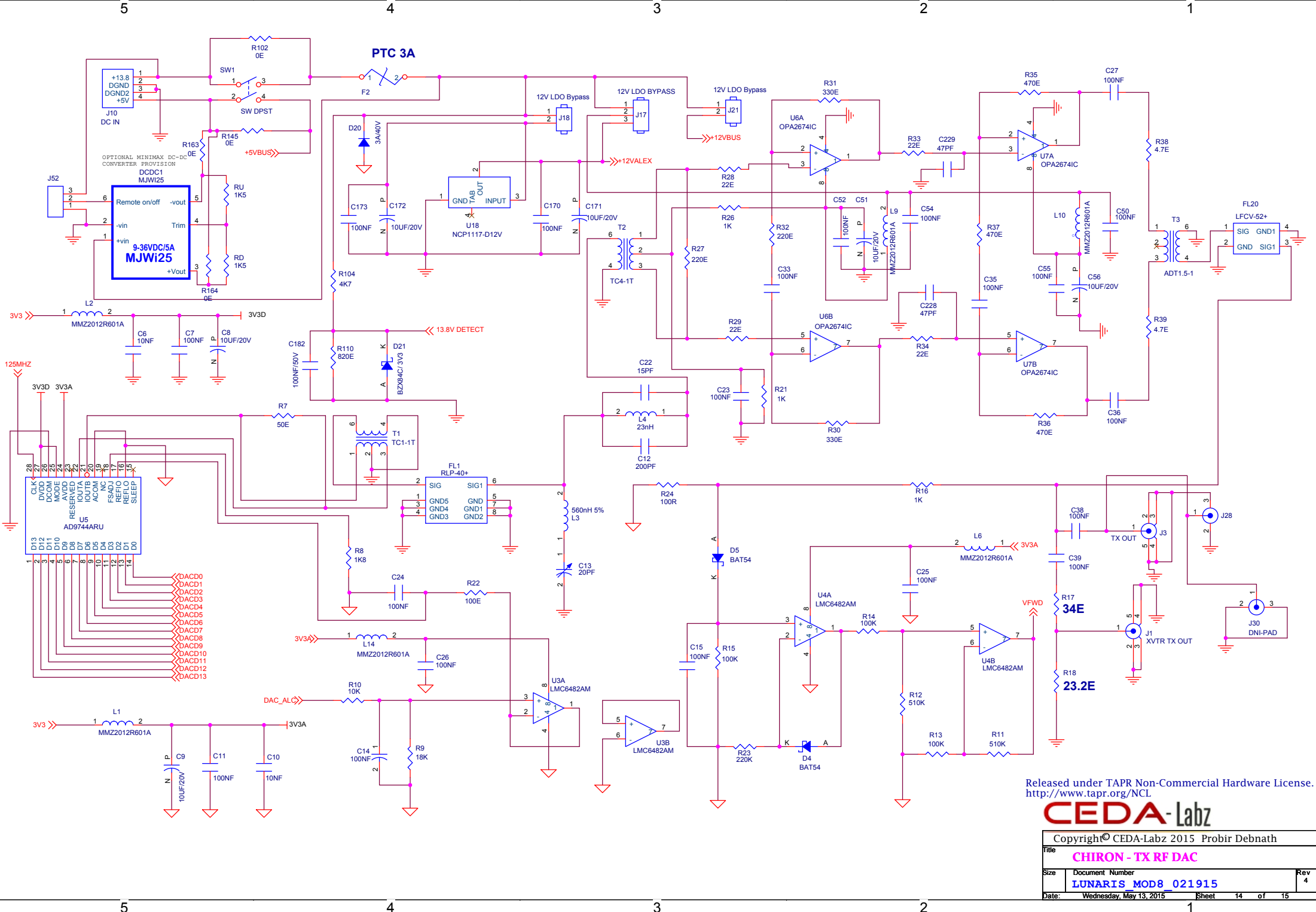
SENSITIVE

SENSITIVE

Released under TAPR Non-Commercial Hardware License
<http://www.tapr.org/NCL>



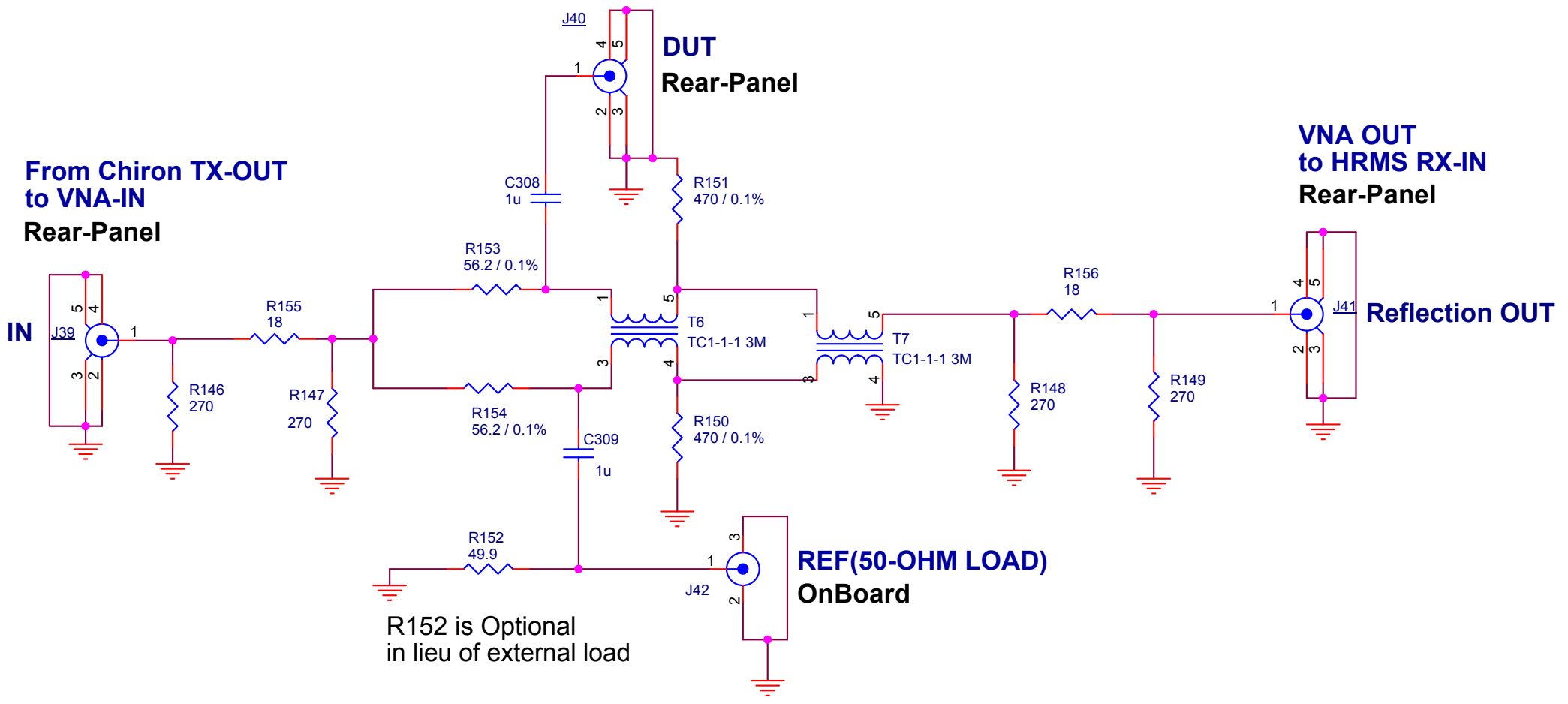
| | | |
|--|----------------------------|----------------|
| Copyright ©CEDA-Labz 2015 Probir Debnath | | |
| Title CHIRON DDC/DUC - RX FRONT END | | |
| Size | Document Number | Rev |
| | LUNARIS MOD8 021915 | 2 |
| Date: | Wednesday, May 13, 2015 | Sheet 13 of 15 |



Released under TAPR Non-Commercial Hardware License.
<http://www.tapr.org/NCL>

CEDA-Labz

| | | |
|---|---|-----------------|
| Copyright © CEDA-Labz 2015 Probir Debnath | | |
| Title CHIRON - TX RF DAC | | |
| Size | Document Number LUNARIS MOD8 021915 | Rev 4 |
| Date: | Wednesday, May 13, 2015 | Sheet 14 of 15 |



Released under TAPR Non-Commercial Hardware License
<http://www.tapr.org/NCL>



| | | |
|--|---|----------------|
| Copyright© CEDA-Labz 2015 Probir Debnath | | |
| Title CHIRON : VNA Bridge | | |
| Size | Document Number LUNARIS_MOD8_021915 | Rev 2 |
| Date: | Wednesday, May 13, 2015 | Sheet 15 of 15 |