

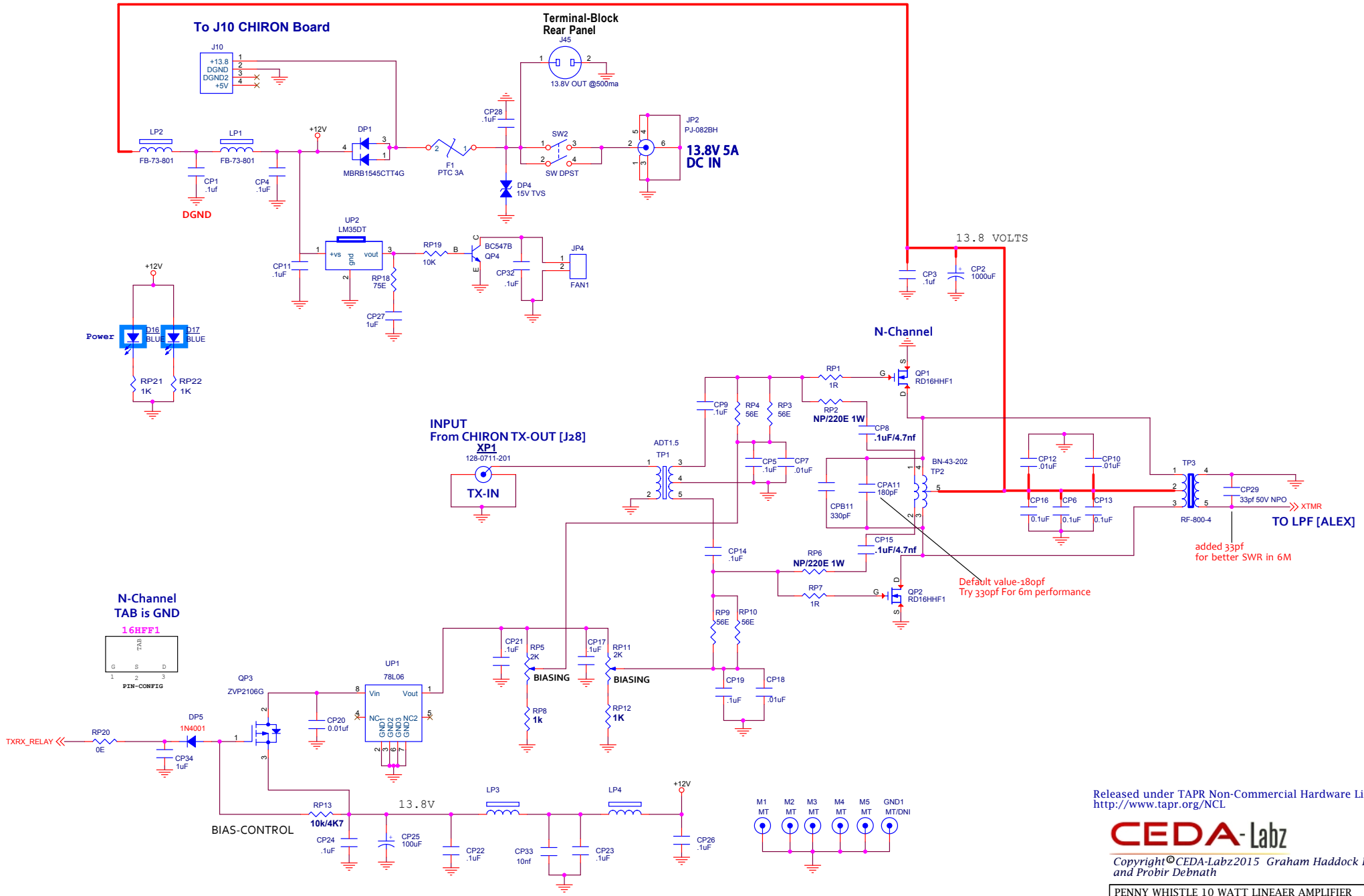
Released under TAPR Non-Commercial Hardware License.
<http://www.tapr.org/NCL>

Copyright © CEDA-Labz 2015 Graham Haddock KE9H and Probr Dabmah

Released under TAPR Non-Commercial Hardware License
<http://www.tapr.org/NCL>

CEDA-Labz
 Copyright © CEDA-Labz 2015 Graham Haddock KE9H and Probr Dabmah

ALEX - TX LFP	
LOW PASS FILTER	
1	1
Date: <input type="text"/> Version: <input type="text"/>	



Released under TAPR Non-Commercial Hardware License
<http://www.tapr.org/NCL>

CEDA-Labz
 Copyright © CEDA-Labz 2015 Graham Haddock KE9H
 and Probir Debnath

PENNY WHISTLE 10 WATT LINEAR AMPLIFIER		
Title		
POWER AMPLIFIER		
Size	Document Number	Rev
		2.0
Date:	Wednesday, May 13, 2015	Sheet 2 of 3